

OS & Y Metal Seated Gate Valve Fig. VA3195

Specification

- ✓ Bronze Seat
- ✓ Adjustable Stem Seal.
- ✓ Available with Handwheel, Gearbox or Actuator.
- ✓ Flanged to ASME B16.1 Class125, EN2-1092 PN16.
(Other flange types available on request)
- ✓ Face to Face Dimensions in accordance with EN 1-558 basic Series 3, ASME B16.10.
- ✓ Rated Working Pressure 250 psi/16 bar.
- ✓ Internally and Externally Liquid Painted or Fusion Bonded Coating.
- ✓ Comply with AWWA C500

Material Specification

No.	Part Name	Material	EN Specification	ASTM Specification
1	Body	Ductile Iron	EN 1563 EN-GJS-450-10	A536 Grade 65-45-12
2	Bonnet	Ductile Iron	EN 1563 EN-GJS-450-10	A536 Grade 65-45-12
3	Bonnet Bolts	Carbon Steel	Grade 8.8	A307 Grade B
4	Body Seat	Bronze	EN 1982 CuSn5Zn5Pb5	B62 C83600
5	Wedge	Ductile Iron	EN 1563 EN-GJS-450-10	A536 Grade 65-45-12
6	Wedge Seat	Bronze	EN 1982 CuSn5Zn5Pb5	B62 C83600
7	Stem	Stainless Steel	EN10088 X20Cr13	A276 Type 420
8	Stem Nut	Bronze	EN 12167 CuAl10Fe3	B148 C95200
9	Lock Nut	Ductile Iron	EN 1563 EN-GJS-450-10	A536 Grade 65-45-12
10	Gasket	Graphite	Non-asbestos	Non-asbestos
11	Yoke	Ductile Iron	EN 1563 EN-GJS-450-10	A536 Grade 65-45-12
11	Packing	Graphite	Non-asbestos	Non-asbestos
12	Packing Bushing	Brass	EN 1982 CuZn39Pb1	B124 C37700
13	Packing Gland	Ductile Iron	EN 1563 EN-GJS-450-10	A536 Grade 65-45-12
14	Gland Bolt	Stainless Steel	EN 3506 Grade A2-70	F593 Grade 304
15	Handwheel	Ductile Iron	EN 1563 EN-GJS-450-10	A536 Grade 65-45-12
16	Handwheel Nut	Ductile Iron	EN 1563 EN-GJS-450-10	A536 Grade 65-45-12

OPTION

- ✓ **Stainless Steel Fasteners:**
A2-7

PRESSURE/ TEMPRATURE RATING

- ✓ 10 to 120° C at 16 bar
200° C at 12.8 bar

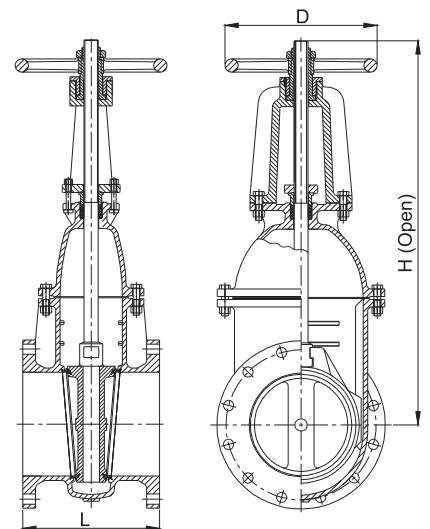
TEST PRESSURES (HYDRAULIC)

- ✓ **Shell:** 24 bar
- ✓ **Seat:** 17.6 bar

Main Dimensions (mm/inch)

Size	2"/50	2-1/2"/65	3"/80	4"/100	5"/125	6"/150	8"/200
L	178/7.0	191/7.5	203/8.0	229/9.0	254/10.0	267/10.5	292/11.5
H (Open)	375/14.8	435/17.1	455/17.9	556/21.9	650/25.6	760/30.0	997/39.2
D	190/7.5	190/7.5	190/7.5	250/9.85	305/12.0	305/12.0	356/14.0

Size	10"/250	12"/300	14"/350	16"/400	18"/450	20"/500	24"/600
L	330/13.0	356/14.0	381/15.0	406/16.0	432/17.0	457/18.0	508/20.0
H (Open)	1197/47.1	1395/54.9	1590/62.6	1720/67.7	1970/77.6	2090/82.3	2450/96.5
D	405/16.0	457/18.0	558/22.0	558/22.0	610/24.0	610/24.0	610/24.0



Size 2" to 12"

Notes

Designs, materials and specifications shown are subject to change without notice due to the continuous development of our products.