

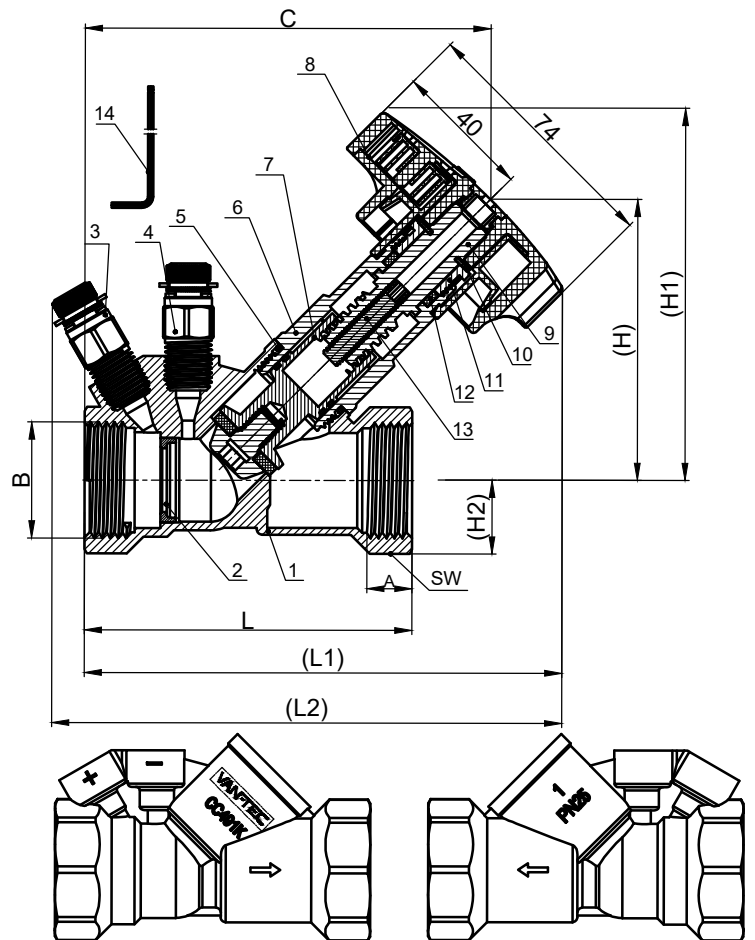
Static Balancing Valve Bronze Fixed Orifice Double Regulating Valve PN 25

Fig. VA0108

Specification

- ✓ Handwheel operated
- ✓ Numerical indicator
- ✓ Inside screw non-rising handwheel
- ✓ Integral orifice and test points
- ✓ Accuracy of $\pm 5\%$ on.
- ✓ WRAS Approved
- ✓ Flow charts available.
- ✓ Supplied with two test points

NO.	Name	Qty	Material
1	Hex Wrench	1	35#
2	Set Screw	1	S.S304
3	Packing	1	PTFE
4	Packing Nut	1	C38000
5	E-Ring	1	S.S304
6	Stem	1	DZR CZ132
7	Handwheel Assembly	1	PA6+30%GF
8	Disc assembly	1	DZR CZ132+EPDM
9	Bonnet	1	DZR CZ132
10	O-Ring	1	EPDM(HA70)
11	PT Valve (Blue)	1	DZR CZ132
12	PT Valve (Red)	1	DZR CZ132
13	Flow Controller	1	DZR CZ132
14	Body	1	C83600/CC491K



Main Dimensions (mm)

Size	L	L1	A	B	C	H	H1	SW	L2
DN15	72.5	121.2	12.5	G1/2	99.7	74.8	98.1	27	135.6
DN20	82	130.2	12.5	G3/4	109.7	79.2	103.5	32	140.5
DN25	95	137.1	14.5	G1	117.6	81.7	106	40	147.5
DN32	115	153.2	16.5	G1 1/4	132.7	93.7	118.1	48	140.5
DN40	135	171.5	19	G1 1/2	151.1	102.4	126.7	56	155.3
DN50	150	182.7	19.5	G2	162.2	112.4	136.7	68.5	168

Water Technical Data

Nominal pressure	PN25 2.5MPa
Nominal size	1/2"-2" (DN 15-DN50)
Operating temperature	-10°~+120°C
Fluid	Water

Notes

Designs, materials and specifications shown are subject to change without notice due to the continuous development of our products.